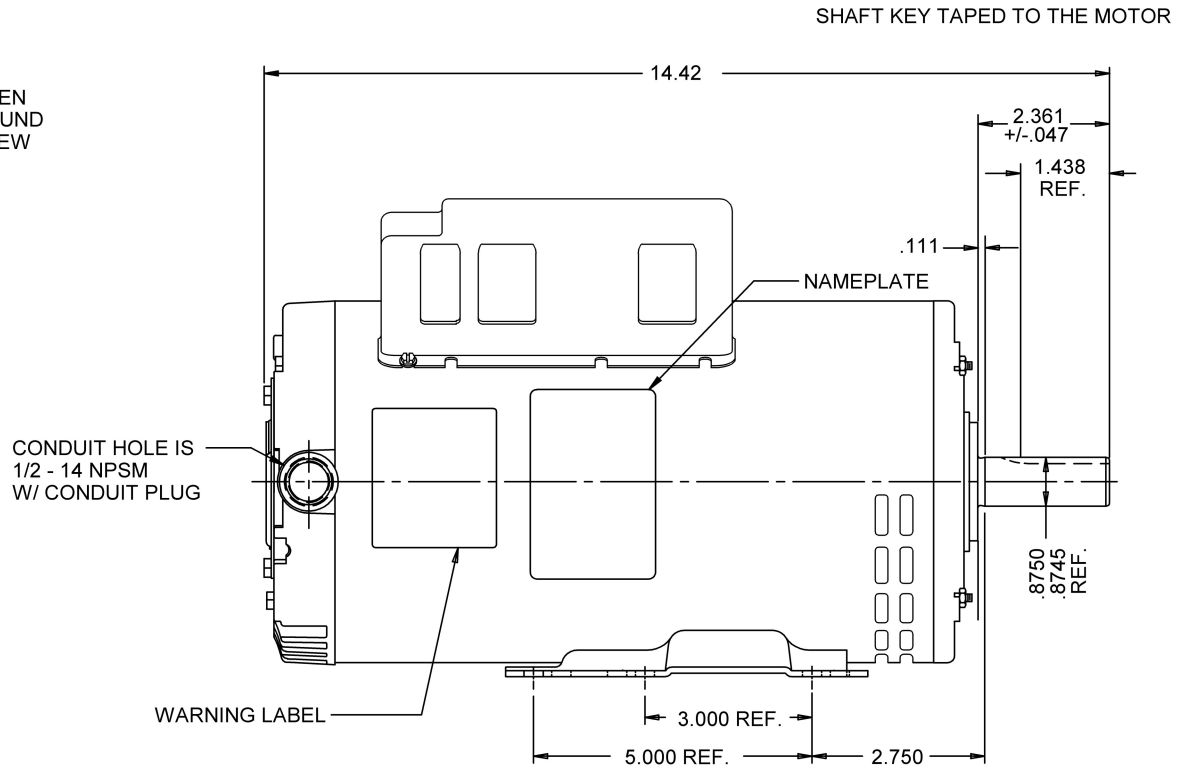
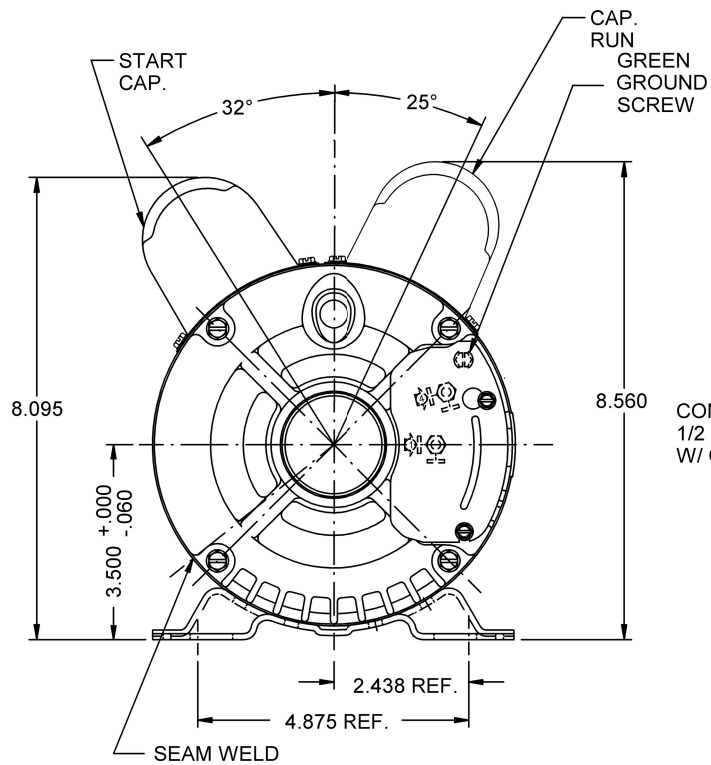




Catalog #: EU05

Model Number:	C063HMS5045013J
PRODUCT NAME:	.75 HP - TEFC - 3450
PHASETYPE:	1_CAPACITOR START
MOTOR ENCLOSURE:	TEFC
HORSEPOWER:	.75
KILOWATTS:	0.6
POLES:	2
NUMBER SPEEDS:	1
RPM:	3450
RPM 2:	2850
HERTZ:	60
HERTZ 2:	50
VOLTS PRIMARY:	115/208-230 & 110/220 V
VOLTS :	115
VOLTS 2:	208
VOLTS 3:	230
VOLTS 4:	110
VOLTS 5:	220
FRME :	56
SHAFT CODE:	J
STATOR DIAMETER:	6.3
STACK:	2.375
MOUNTING:	J-FACE/REM BASE
MOTOR TYPE:	FHP
OPPOSITE END BEARING:	6203
SHAFT END BEARING:	6203
AMBIENT:	40
ROTATION:	CW LEAD END
STARTCAPMFD:	297
SHIPPING WEIGHT:	42
THERMAL PROTECTION:	AUTOMATIC RESET
BREAKDOWN TORQUE:	55.02
BREAKDOWN TORQUE UOM:	OZFT
LOCKED ROTOR TORQUE:	38.23
LOCKED ROTOR TORQUE UOM:	OZFT
INSULATION CLASS:	B
KVA CODE LETTER:	K
LOCKED ROTOR AMPS:	48.8
FULL LOAD AMPS PRIMARY:	10.0/5.2-5.0
SERVICE FACTOR AMPS PRIMARY:	10.8/5.7-5.4



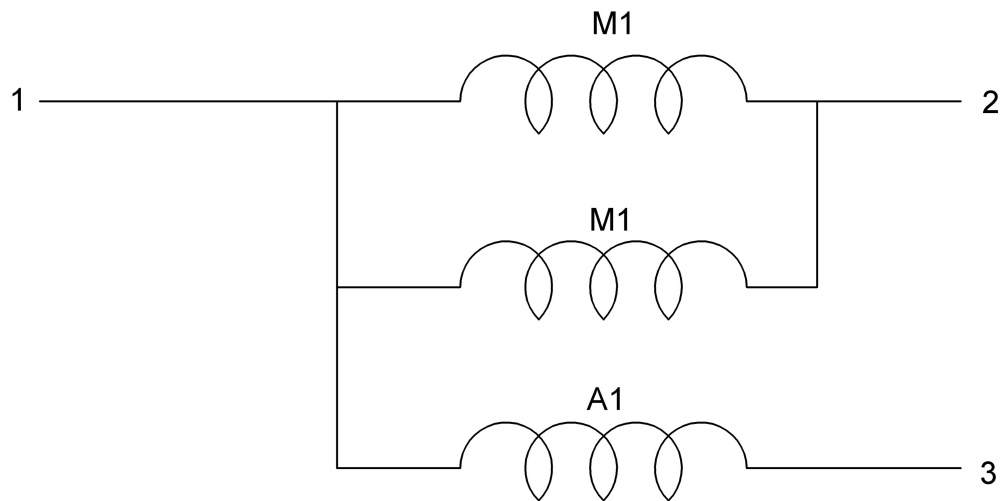
MODEL		REF	CUSTOMER	HP	VOLTS	AMPS	HZ	RPM	ROTATION	CUSTOMER PN
T63BVWBZ-1538			EMERSON	5.0	208-230	22.5-22.0	60	3450	CCW DRIVE END.	D5CM1K14
SHEET NUMBER 1 OF 1	REV E	REVISION RECORD FOR: C4997-14			INFORMATION DISCLOSED ON THIS DOCUMENT IS CONSIDERED PROPRIETARY AND SHALL NOT BE REPRODUCED OR DISCLOSED WITHOUT WRITTEN CONSENT OF NIDEC MOTOR CORPORATION				NIDEC MOTOR CORPORATION	
	UPDATED BACKGROUND TO NIDEC.									
REVISION DATE 10-FEB-12										
ISSUED BY B. ANDRADE		REVIEWED BY J. I. SALAZAR	ENGINEER APPROVED J. I. SALAZAR		TITLE ASSEMBLED VIEW			CODE V01	ITEM NO. 757604	SIZE B



NIDEC MOTOR CORPORATION 10-Feb-12

V01_NMCB (MAR-2011)

SOLIDEDGE



NON-REVERSIBLE, SINGLE VOLTAGE,
W/O ON-WDG. PROT.

REFER TO SEIM 24-1

REV.
A

REVISION DESCRIPTION FOR: C8396-03		SCALE	UNITS	TITLE		NIDEC MOTOR CORPORATION		
UPDATED TITLE BLOCK TO NIDEC.		NONE	INCHES	DIAGRAM OF CONNECTIONS		REVISION DATE 24-SEP-13		
MATERIAL:		TOLERANCES ON DIMENSIONS (UNLESS OTHERWISE SPECIFIED)						
		INCHES	mm	ISSUED BY	APPROVED BY			
		± .015		B. ANDRADE	J. I. SALAZAR			
MUST BE COMPLIANT TO RoHS DIRECTIVE EU 2002/95/IEC AND REGULATION EC 1907/2006 (REACH) AS AMENDED		ANGLES X°= ±1°		CODE	DWG NO.	REV	SHEET NUMBER	DWG SIZE
				D04	316562	A	1 OF 1	A

NIDEC CONFIDENTIAL
NIDEC MOTOR CORPORATION 24-Sep-13

NMCA (MAR-2011)

SOLIDEDGE

Special Application Air Compressor Single Phase, Open Drip Proof (ODP)



APPLICATIONS:

For belt drive air compressor duty high breakdown torque.

FEATURES:

- Rigid Welded Base
- Continuous Duty
- Manual Reset Thermal Overload Protector
- ODP Enclosure
- Class B Insulation
- 40°C Ambient
- Ball Bearings
- Rotation - CCW Facing Shaft End, Non-Reversible
- Capacitor Start, Capacitor Run

HP	RPM	Voltage	Frame	Catalog Number	List	Discount Symbol	SF	"C" Dim. (inches)	Ship Wt. (lbs)	Full Load Amps	Notes
1	3600	115/230	56	D1CPM1PH	\$560	DS-3FMP	1.25	11.4	29	9.3/4.3	23
2	3600	115/230	56	3768	\$655	DS-3F	1.00	11.9	28	15.0/7.5	
3	3600	208-230	56	D3CPM1T	\$888	DS-3FMP	1.15	13.2	42	13.2	23
5	3600	208-230	56HZ	D5CM1K14	\$866	DS-3F	1.00	14.4	43	22.5-22.0	
	3600	230	56HZ	EB384	\$899	DS-3F	1.15	15.0	50	21.5	
	1800	230	184T	D5C2K	\$909	DS-3SP	1.15	16.3	75	23.5	25
7 1/2	3600	230	184T	D7C1K	\$969	DS-3SP	1.15	16.3	80	30.0	25

Note 23 Manual Reset Thermal Protector Overload

Note 25 Non-protected